

# MORTISE ENTRY GRIPSET

.10 FUNCTION

*Suitable for mortise grip entrysets with 18 x 3" or 24 x 3 1/2" outside plate*



# Ashley Norton

## MORTISE ENTRY GRIP x LEVER

.10 FUNCTION

## INSTALLATION INSTRUCTIONS

### Mark and Prepare Door

Suggested location of mortise lock is determined by placing lever 36" above finished floor. Note: Center of lock is 1 5/16" above lever position. Ensure that door stile will accommodate the lock and trim before drilling.

Mortise lock pocket according to templates included with trim.

Mortise and prepare edge of door for lock front.

Cut relief pockets in the cavity at the latchbolt location to allow the latchbolt to operate without interference.

Mark and drill holes on face of door for the lock and trim. **Do not oversize holes.**



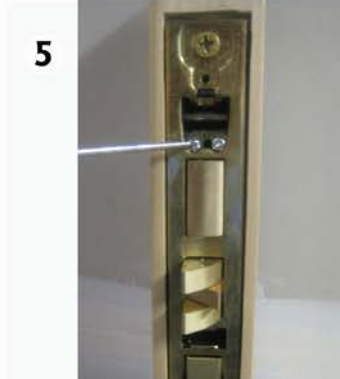
Adjust bevel by loosening screws on top and bottom of lock. Do not remove screws. Once bevel is correctly set, tighten screws and install lock in door.



Insert knurled end of spindle into the lock from the inside of the door.



Fasten spindle into position with screw from outside of door.



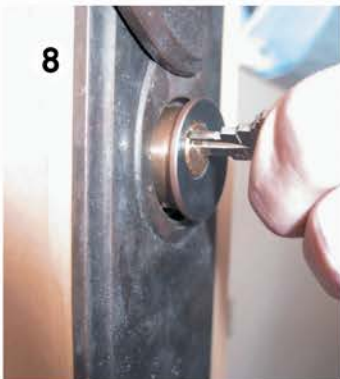
Loosen screw on lock front to allow entry of cylinder.



Locate exterior plate but do not secure at this stage.



Rotate swing cover and locate cylinder into lock.



Insert key halfway into cylinder and thread cylinder into housing until it is against the trim and does not interfere with the swing cover. **Do not over-tighten cylinder.**



Check operation of lock for both latchbolt and deadbolt retraction.



Ensure cover clears front of cylinder.



Tighten screw on front of lock to secure cylinder in position. **Do not over-tighten this screw.**



If necessary, cut turnpiece spindle so it reaches halfway through the lock but does not interfere with inside wall of lock cavity. Fit interior piece.



Locate machine screws into threaded posts on outside trim. Use of power-tools is not recommended as they increase chance of stripping screws or scratching trim.



Ensure outside trim is properly positioned then drill pilot holes for wood screws. Secure outside trim with wood screws. Finally, attach screw cover on inside with machine screw provided and attach finished scalp to lock front.

### Mark and Prepare Jamb

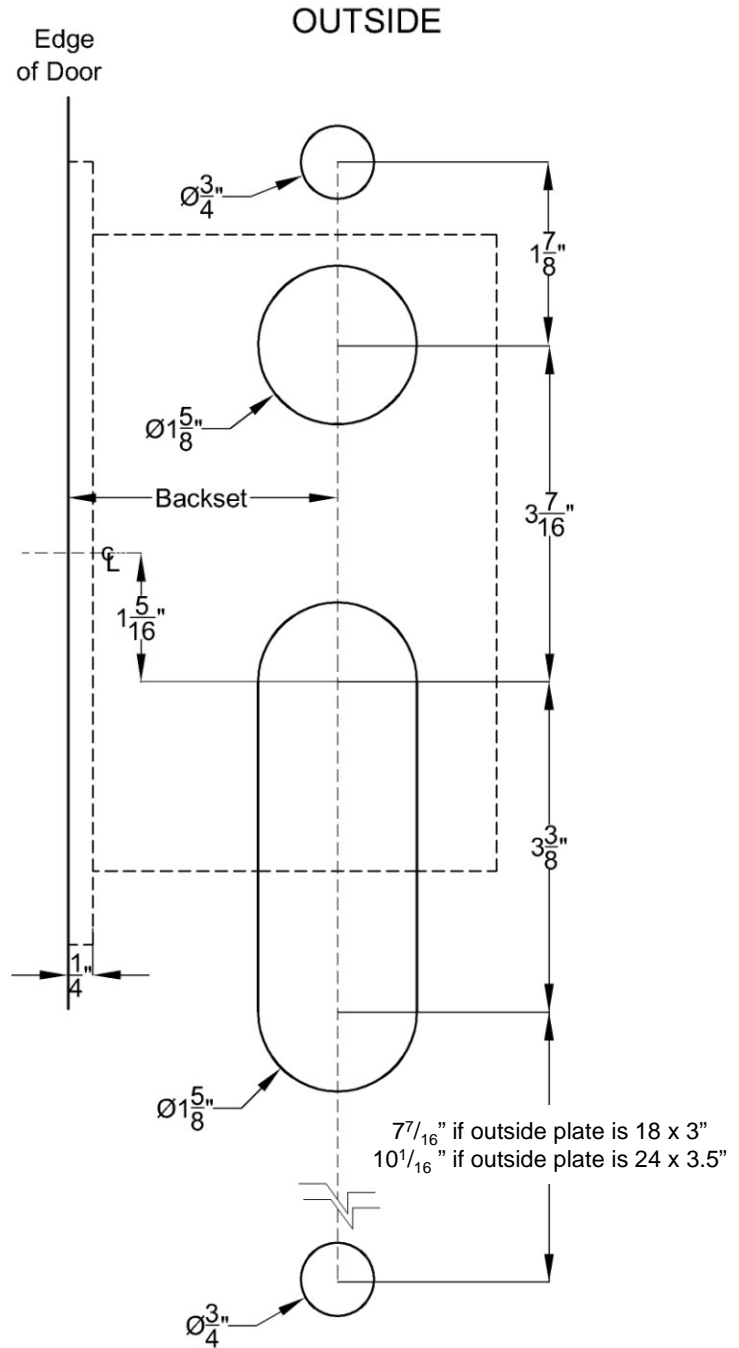
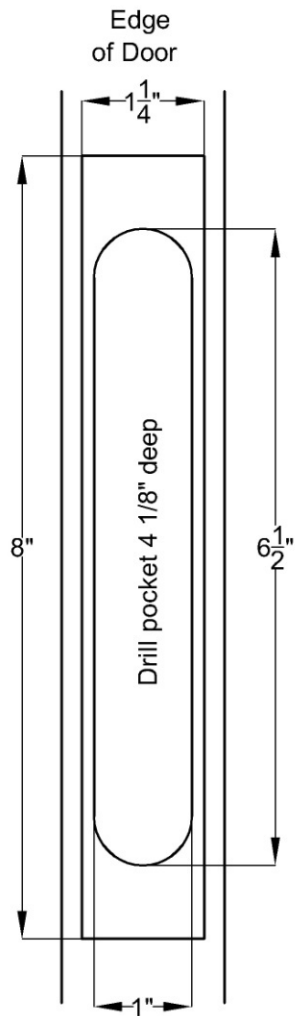
Use template to determine correct position of strike. Mortise jamb or astragal to appropriate depth to accept dustbox and strike.

Install dustbox and strike.

# MORTISE ENTRY GRIPSET

# .10 FUNCTION

Suitable for mortise grip entrysets with 18 x 3" or 24 x 3 1/2" outside plate



*Suitable for mortise grip entrysets with 18 x 3" or 24 x 3 1/2" outside plate*

