

# Multi-Point Trim for G-U Locks



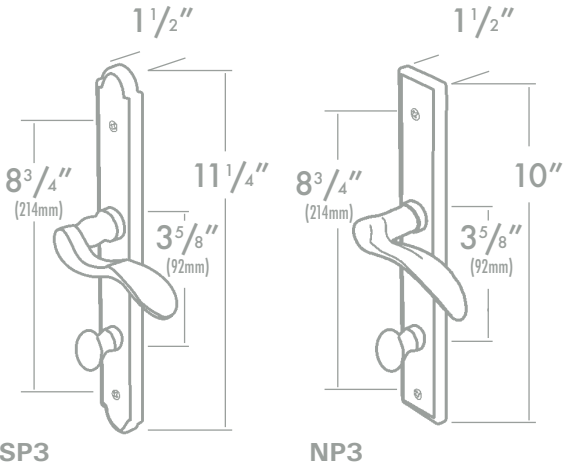
Multi-Point Locks are unsuitable for use with knobs.

ORDERING GUIDE				
<b>NP3</b>	<b>500</b>	<b>.55</b>	<b>.L</b>	<b>.8</b>
Plate	Lever	Function	Hand	Finish

Multipoint trim with 92mm center-to-center between lever and American cylinder.

Suitable for doors using G-U or similar locks with 92mm distance between lever and American tailpiece. For Ashland locks, see pages 50 - 51.

For further details refer to [www.ashleynorton.com/multipoint/](http://www.ashleynorton.com/multipoint/)

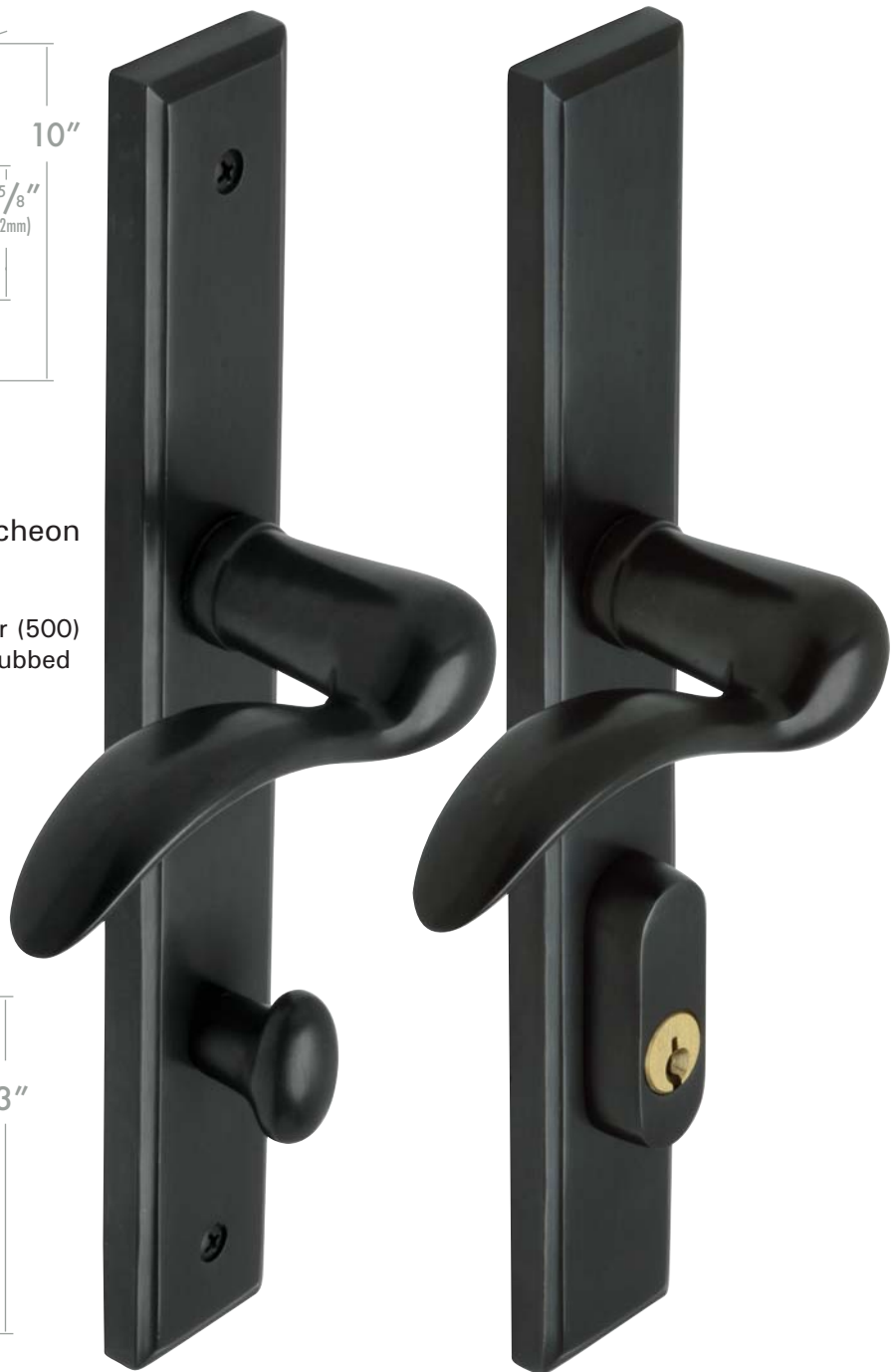
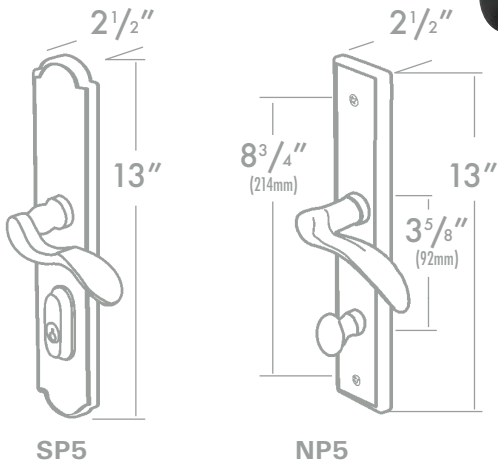


## NP3 Escutcheon

Shown with Churchill lever (500) in Dark Oil Rubbed

## Wide Escutcheon Option

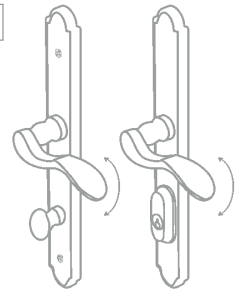
The full range is also available in a wide escutcheon option.



Inside Outside

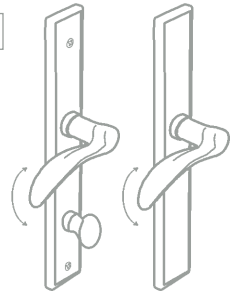
**Entry .55**

Keyed with American Cylinder



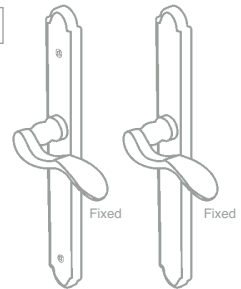
**Patio .53**

Non-keyed, American style thumbturn inside



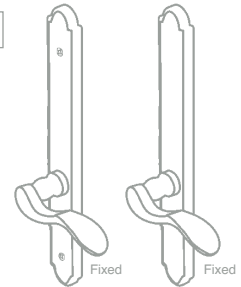
**Full Dummy .42**

Lever high full dummy for inactive door.



**Lever Low Dummy .47**

Lever low full dummy for inactive door.  
**For Eagle and Hurd doors only**



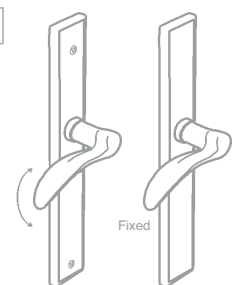
**Passive .39**

Non-keyed. Both levers free to rotate  
**For interior use only**



**Half Passive .38**

Non-keyed. Fixed lever outside, operating lever inside



**SP3 Escutcheon**

Shown with Chester lever (2000) in Satin Nickel



# Multi-Point Trim for Hoppe Locks



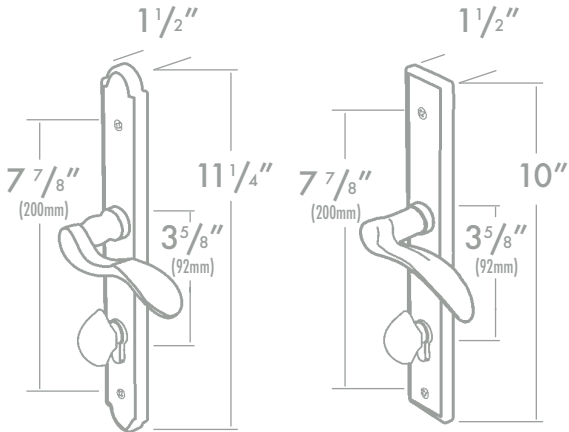
Multi-Point Locks are unsuitable for use with knobs.

ORDERING GUIDE				
<b>CB3</b>	<b>3490</b>	<b>.58</b>	<b>.L</b>	<b>.9</b>
Plate	Lever	Function	Hand	Finish

Multipoint trim with 92mm center-to-center between lever and Profile cylinder.

Suitable for doors using Hoppe or similar locks with 92mm distance between lever and Profile cylinder.

For further details refer to [www.ashleynorton.com/multipoint/](http://www.ashleynorton.com/multipoint/)



AB3

CB3

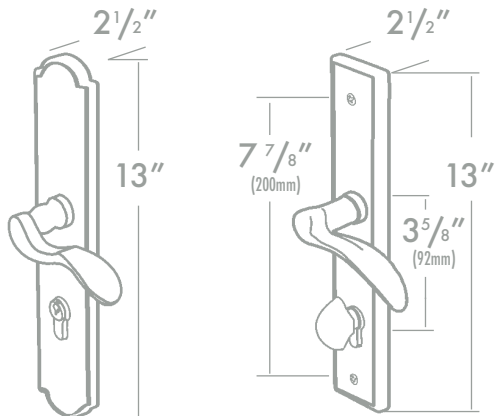
### CB3 Escutcheon

Shown with Centaur lever (3490) in Polished Chrome



### Wide Escutcheon Option

The full range is also available in a wide escutcheon option.



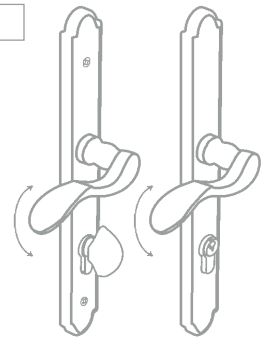
AB5

CB5

Inside Outside

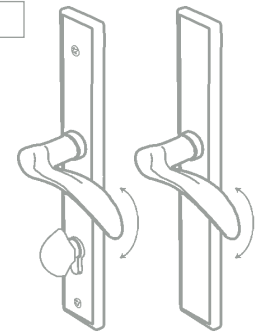
Entry .57

Keyed with Profile Cylinder



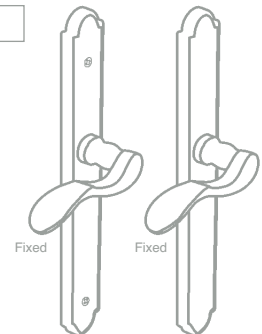
Patio .58

Non-keyed, Profile style thumbturn inside



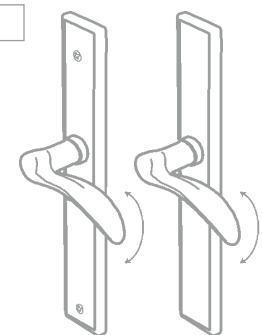
Full Dummy .42

Lever high full dummy for inactive door.



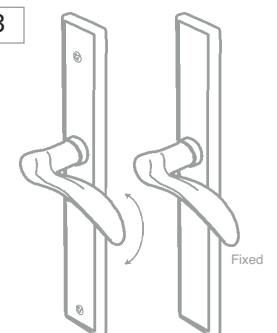
Passive .39

Non-keyed. Both levers free to rotate. For interior use only



Half Passive .38

Non-keyed. Fixed lever outside, operating lever inside



AB3 Escutcheon

With Shropshire lever (800) in Dark Oil Rubbed



# Multi-Point Trim for Ashland Locks

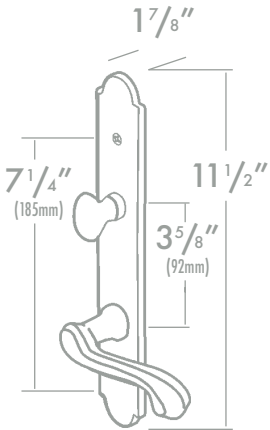


Multi-Point Locks are unsuitable for use with knobs.

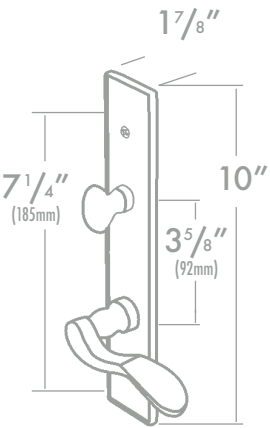
ORDERING GUIDE				
<b>NMW</b>	<b>400</b>	<b>.53</b>	<b>.L</b>	<b>.4</b>
Plate	Lever	Function	Hand	Finish

Multipoint trim for doors using Ashland locks only.  
For trim to suit G-U locks refer to pages 48 - 49.

For further details refer to [www.ashleynorton.com/multipoint/](http://www.ashleynorton.com/multipoint/)



SMW



NMW

## NMW Escutcheon

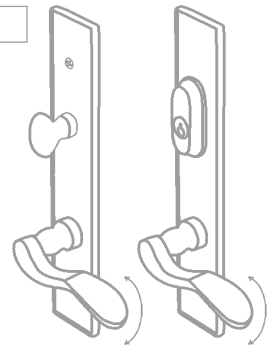
Shown with Hampton lever (400) in Satin Nickel



Inside Outside

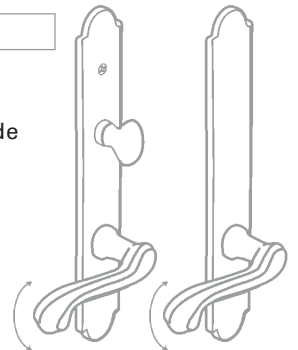
Entry .55

Keyed with American Cylinder



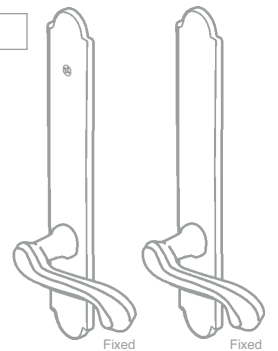
Patio .53

Non-keyed, American style thumbturn inside



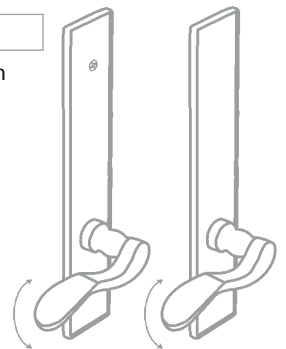
Full Dummy .47

Lever low full dummy for inactive door.



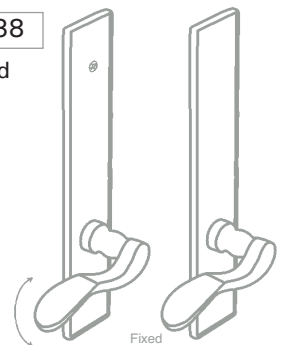
Passive .39

Non-keyed. Both levers free to rotate.



Half Passive .38

Non-keyed. Fixed lever outside, operating lever inside



SMW Escutcheon

Shown with Chesterfield lever (1700) in Light Oil Rubbed



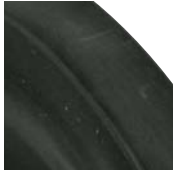
## Our Finishes



### Standard



.4 Satin Nickel



.8 Dark Oil Rubbed

Our numerous finishes allow our clients to express individuality. From trendy polished nickel to a more traditional satin nickel or oil rubbed bronze... the choice is yours.

Dark and light oil rubbed bronze are dynamic. These "living" surfaces will take on unique hues as age, climate and touch work their charm, creating an ever-changing patina.

Our standard finishes are dark oil rubbed (.8) and satin nickel (.4). Seven additional finishes are custom manufactured to order.

The photos shown in this brochure give a close representation of the true appearance of these finishes, but a visit to a local dealer will allow you to appreciate the true appearance and feel of our hardware.

### Custom



.2 Satin Chrome



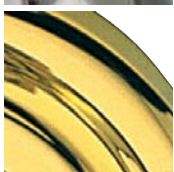
.9 Polished Chrome



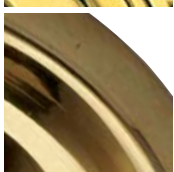
.4B Polished Nickel



.7 Pewter



.3 Polished Brass



.3U Unlacquered Brass



.6 Light Oil Rubbed

*Please note that products ordered in our custom finishes are manufactured to order.*

### GUIDE TO FINISH CODES

US	BHMA	ASHLEY	FINISH
26D	626	2	Satin Chrome
3	605	3	Polished Brass
3NL	605NL	3U	Unlacquered Brass
15	619	4	Satin Nickel
14	618	4B	Polished Nickel
~	~	6	Light Oil Rubbed
15A	620	7	Pewter
10B	613	8	Dark Oil Rubbed
26	625	9	Polished Chrome