

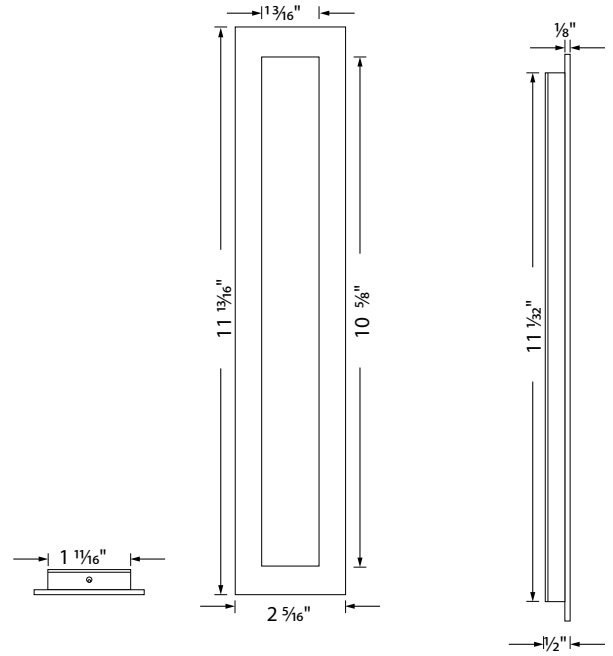
ASHLEY **AN** NORTON



**FLUSH PULLS**

# BRASS FLUSH PULLS

## C1855 12" Modern Flush Pull



9 Polished Chrome



4B Polished Nickel



4 Satin Nickel



3S Satin Brass



8 Dark Oil Rubbed



BK Flat Black



### Special Order Finishes:

9 Polished Chrome



3U Unlacquered Brass

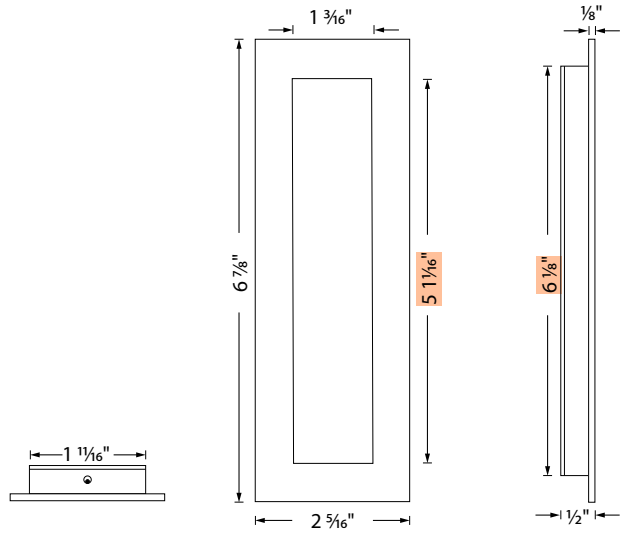


BB Burnished Brass



# BRASS FLUSH PULLS

**C1855 7" Modern Flush Pull**



9 Polished Chrome



4B Polished Nickel



4 Satin Nickel



3S Satin Brass



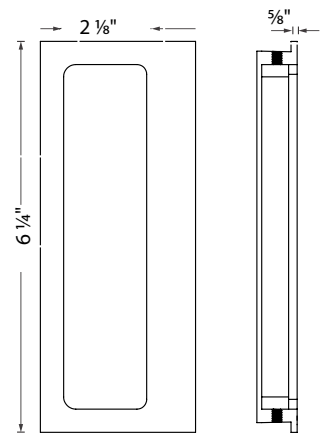
8 Dark Oil Rubbed



BK Flat Black



**C1862 7" New Elevator Flush Pull**



9 Polished Chrome



4B Polished Nickel



4 Satin Nickel



3S Satin Brass



8 Dark Oil Rubbed

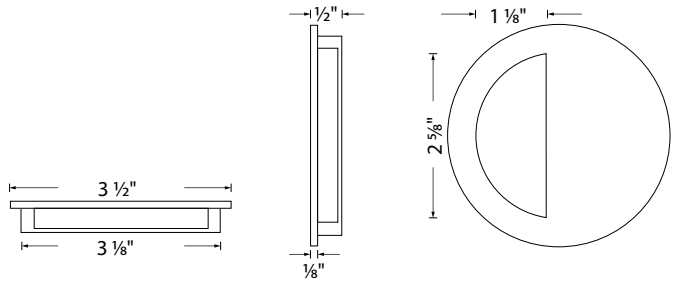


BK Flat Black



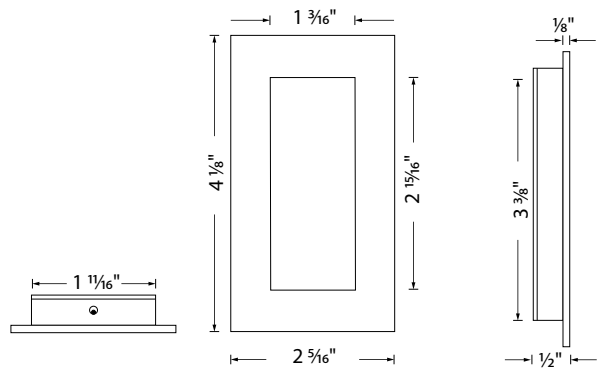
# BRASS FLUSH PULLS

**C1845 Round Half Moon Flush Pull**



- 9  
 Polished Chrome
- 4B  
 Polished Nickel
- 4  
 Satin Nickel
- 3S  
 Satin Brass
- 8  
 Dark Oil Rubbed
- BK  
 Flat Black

**C1855 4" Modern Flush Pull**



- 9  
 Polished Chrome
- 4B  
 Polished Nickel
- 4  
 Satin Nickel
- 3S  
 Satin Brass
- 8  
 Dark Oil Rubbed
- BK  
 Flat Black

# POCKET DOOR HARDWARE



## Sliding/Pocket Door Hardware

Shown in Satin Brass (3S)

Plate Dimensions: 2 1/4" x 2 1/4"

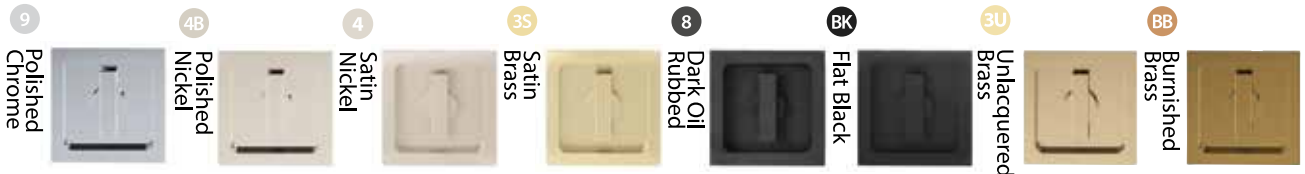
Lip thickness: 2mm (3/64")

Plate Depth: 3/32"

Minimum door thickness 1 3/8"

Maximum door thickness 2 1/4"

Must be surface mounted on 1 3/8" doors



ESCUTCHEON	FUNCTION	STOCKED FINISH	MADE TO ORDER FINISHES*
	<b>C1870.25</b> <ul style="list-style-type: none"> <li>• Privacy Function</li> <li>• Includes Mortise Lock / Pull</li> <li>• Minimum Door Thickness 1 3/8"</li> </ul>	Satin Nickel (4) Flat Black (BK) Dark Oil Rubbed (8) Polished Chrome (9) Polished Nickel (4B) Satin Brass (3S)	Polished Brass (3) Burnished Brass (BB) Unlacq. Brass (3U)
	<b>C1870.25 DBL</b> <ul style="list-style-type: none"> <li>• Privacy Function for Double Doors</li> <li>• Includes Mortise Lock / Pull and Mortise Strike / Pull</li> <li>• Minimum Door Thickness 1 3/8"</li> </ul>	Satin Nickel (4) Flat Black (BK) Dark Oil Rubbed (8) Polished Chrome (9) Polished Nickel (4B) Satin Brass (3S)	Polished Brass (3) Burnished Brass (BB) Unlacq. Brass (3U)
	<b>C1870.44</b> <ul style="list-style-type: none"> <li>• Patio Function</li> <li>• Includes Mortise Lock / Pull</li> <li>• Minimum Door Thickness 1 3/8"</li> </ul>	Satin Nickel (4) Flat Black (BK) Dark Oil Rubbed (8) Polished Chrome (9) Polished Nickel (4B) Satin Brass (3S)	Polished Brass (3) Burnished Brass (BB) Unlacq. Brass (3U)
	<b>C1870.44 DBL</b> <ul style="list-style-type: none"> <li>• Privacy Function for Double Doors</li> <li>• Includes Mortise Lock / Pull and Mortise Strike / Pull</li> <li>• Minimum Door Thickness 1 3/8"</li> </ul>	Satin Nickel (4) Flat Black (BK) Dark Oil Rubbed (8) Polished Chrome (9) Polished Nickel (4B) Satin Brass (3S)	Polished Brass (3) Burnished Brass (BB) Unlacq. Brass (3U)
	<b>C1870.34</b> <ul style="list-style-type: none"> <li>• Passage Function</li> <li>• Includes Mortise Pull</li> <li>• Minimum Door Thickness 1 3/8"</li> </ul>	Satin Nickel (4) Flat Black (BK) Dark Oil Rubbed (8) Polished Chrome (9) Polished Nickel (4B) Satin Brass (3S)	Polished Brass (3) Burnished Brass (BB) Unlacq. Brass (3U)
	<b>C1870.40</b> <ul style="list-style-type: none"> <li>• Flush Pull</li> <li>• Single Pull Supplied</li> <li>• No lock</li> </ul>	Satin Nickel (4) Flat Black (BK) Dark Oil Rubbed (8) Polished Chrome (9) Polished Nickel (4B) Satin Brass (3S)	Polished Brass (3) Burnished Brass (BB) Unlacq. Brass (3U)

(\* ) Made to order finishes are not returnable.



# POCKET DOOR HARDWARE



## Sliding/Pocket Door Hardware

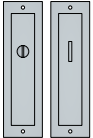
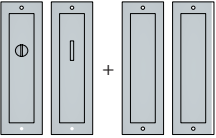
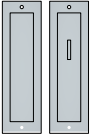
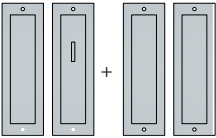
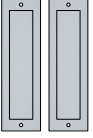
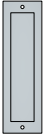
Shown in Satin Nickel (4) finish

Plate Dimensions: 7 3/4" x 2 1/4"

Plate Depth: 7/16"

Minimum door thickness 1 3/4"


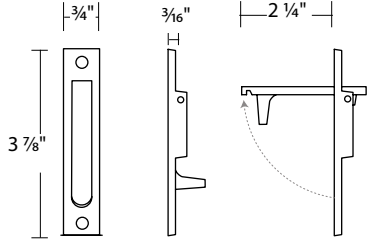

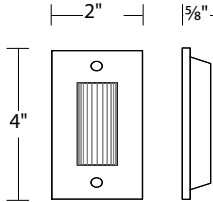

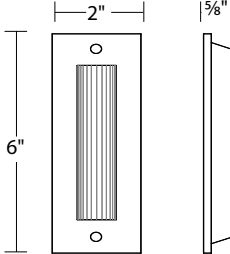

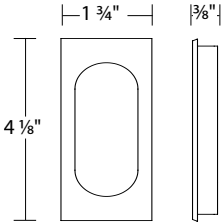

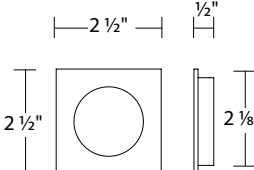

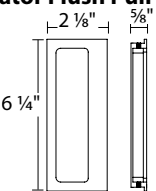
Maximum door thickness 2 1/4"

ESCUTCHEON	FUNCTION	STOCKED FINISH	MADE TO ORDER FINISHES*
	<p><b>C1840.25</b></p> <ul style="list-style-type: none"> <li>• Privacy Function</li> <li>• Includes Mortise Lock / Pull</li> <li>• Minimum Door Thickness 1 3/4"</li> </ul>	<p>Satin Nickel (4)                      Flat Black (BK)                      Dark Oil Rubbed (8)                      Polished Chrome (9)                      Polished Nickel (4B)                      Satin Brass (3S)</p>	<p>Polished Brass (3)                      Burnished Brass (BB)                      Unlacq. Brass (3U)</p>
	<p><b>C1840.25 DBL</b></p> <ul style="list-style-type: none"> <li>• Privacy Function for Double Doors</li> <li>• Includes Mortise Lock / Pull and Mortise Strike / Pull</li> <li>• Minimum Door Thickness 1 3/4"</li> </ul>	<p>Satin Nickel (4)                      Flat Black (BK)                      Dark Oil Rubbed (8)                      Polished Chrome (9)                      Polished Nickel (4B)                      Satin Brass (3S)</p>	<p>Polished Brass (3)                      Burnished Brass (BB)                      Unlacq. Brass (3U)</p>
	<p><b>C1840.44</b></p> <ul style="list-style-type: none"> <li>• Patio Function</li> <li>• Includes Mortise Lock / Pull</li> <li>• Minimum Door Thickness 1 3/4"</li> </ul>	<p>Satin Nickel (4)                      Flat Black (BK)                      Dark Oil Rubbed (8)                      Polished Chrome (9)                      Polished Nickel (4B)Satin Brass (3S)</p>	<p>Polished Brass (3)                      Burnished Brass (BB)                      Unlacq. Brass (3U)</p>
	<p><b>C1840.44 DBL</b></p> <ul style="list-style-type: none"> <li>• Privacy Function for Double Doors</li> <li>• Includes Mortise Lock / Pull and Mortise Strike / Pull</li> <li>• Minimum Door Thickness 1 3/4"</li> </ul>	<p>Satin Nickel (4)                      Flat Black (BK)                      Dark Oil Rubbed (8)                      Polished Chrome (9)                      Polished Nickel (4B)                      Satin Brass (3S)</p>	<p>Polished Brass (3)                      Burnished Brass (BB)                      Unlacq. Brass (3U)</p>
	<p><b>C1840.34</b></p> <ul style="list-style-type: none"> <li>• Passage Function</li> <li>• Includes Mortise Pull</li> <li>• Minimum Door Thickness 1 3/4"</li> </ul>	<p>Satin Nickel (4)                      Flat Black (BK)                      Dark Oil Rubbed (8)                      Polished Chrome (9)                      Polished Nickel (4B)                      Satin Brass (3S)</p>	<p>Polished Brass (3)                      Burnished Brass (BB)                      Unlacq. Brass (3U)</p>
	<p><b>C1840.40</b></p> <ul style="list-style-type: none"> <li>• Flush Pull</li> <li>• Single Pull Supplied</li> <li>• No Lock</li> </ul>	<p>Satin Nickel (4)                      Flat Black (BK)                      Dark Oil Rubbed (8)                      Polished Chrome (9)                      Polished Nickel (4B)                      Satin Brass (3S)</p>	<p>Polished Brass (3)                      Burnished Brass (BB)                      Unlacq. Brass (3U)</p>

(\*) Made to order finishes are not returnable.



# EDGE PULLS AND FLUSH PULLS

EDGE/FLUSH PULL	CODE/DIMENSIONS	STOCKED FINISH	MADE TO ORDER FINISHES*
	<b>C1165 Edge pull</b> 	Satin Nickel (4) Flat Black (BK) Dark Oil Rubbed (8) Polished Chrome (9) Polished Nickel (4B) Satin Brass (3S)	Polished Brass (3) Burnished Brass (BB) Unlacq. Brass (3U)
	<b>C1820 4" Flush pull</b> 	Satin Nickel (4) Flat Black (BK) Dark Oil Rubbed (8) Polished Chrome (9) Polished Nickel (4B) Satin Brass (3S)	Polished Brass (3) Burnished Brass (BB) Unlacq. Brass (3U)
	<b>C1820 6" Flush pull</b> 	Satin Nickel (4) Flat Black (BK) Dark Oil Rubbed (8) Polished Chrome (9) Polished Nickel (4B) Satin Brass (3S)	Polished Brass (3) Burnished Brass (BB) Unlacq. Brass (3U)
	<b>C1850 4" Flush pull</b> 	Satin Nickel (4) Flat Black (BK) Dark Oil Rubbed (8) Polished Chrome (9) Polished Nickel (4B) Satin Brass (3S)	Polished Brass (3) Burnished Brass (BB) Unlacq. Brass (3U)
	<b>C1860 Square Flush Pull</b> 	Satin Nickel (4) Flat Black (BK) Dark Oil Rubbed (8) Polished Chrome (9) Polished Nickel (4B) Satin Brass (3S)	Polished Brass (3) Burnished Brass (BB) Unlacq. Brass (3U)
	<b>C1862 Elevator Flush Pull</b> 	Satin Nickel (4) Flat Black (BK) Dark Oil Rubbed (8) Polished Chrome (9) Polished Nickel (4B) Satin Brass (3S)	Polished Brass (3) Burnished Brass (BB) Unlacq. Brass (3U)

(\*) Made to order finishes are not returnable.





## FLUSH PULLS

Ashley Norton's stylish Flush Pulls are made of solid brass and can be used in a variety of sliding door applications, from pocket doors and barn doors to closet doors and cabinets. These new flush pulls are understated, yet stylish. Available in multiple sizes and finishes.

ASHLEY  NORTON

Distinctive and stylish design for everyday life

[www.ashleynorton.com](http://www.ashleynorton.com) [info@ashleynorton.com](mailto:info@ashleynorton.com) +1 (973) 835-4027